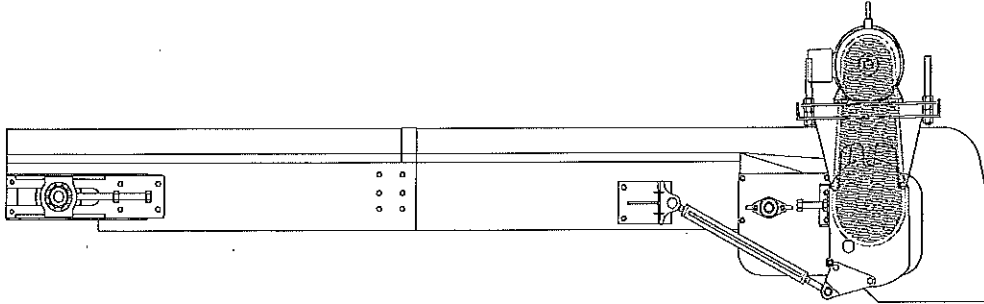


Installation and Maintenance Instructions  
for S-M Enterprises  
S-Series Conveyors

Model # SM-S2312  
Serial # 66027  
Date of Manufacture: 8/9/13



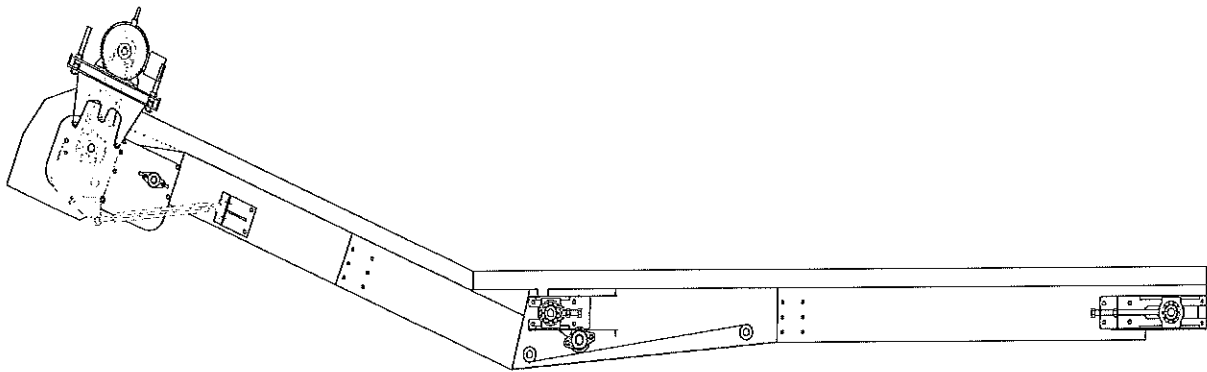
South - Moorhead

**ENTERPRISES, INC.**

**S-M S-SERIES CONVEYOR MANUAL**

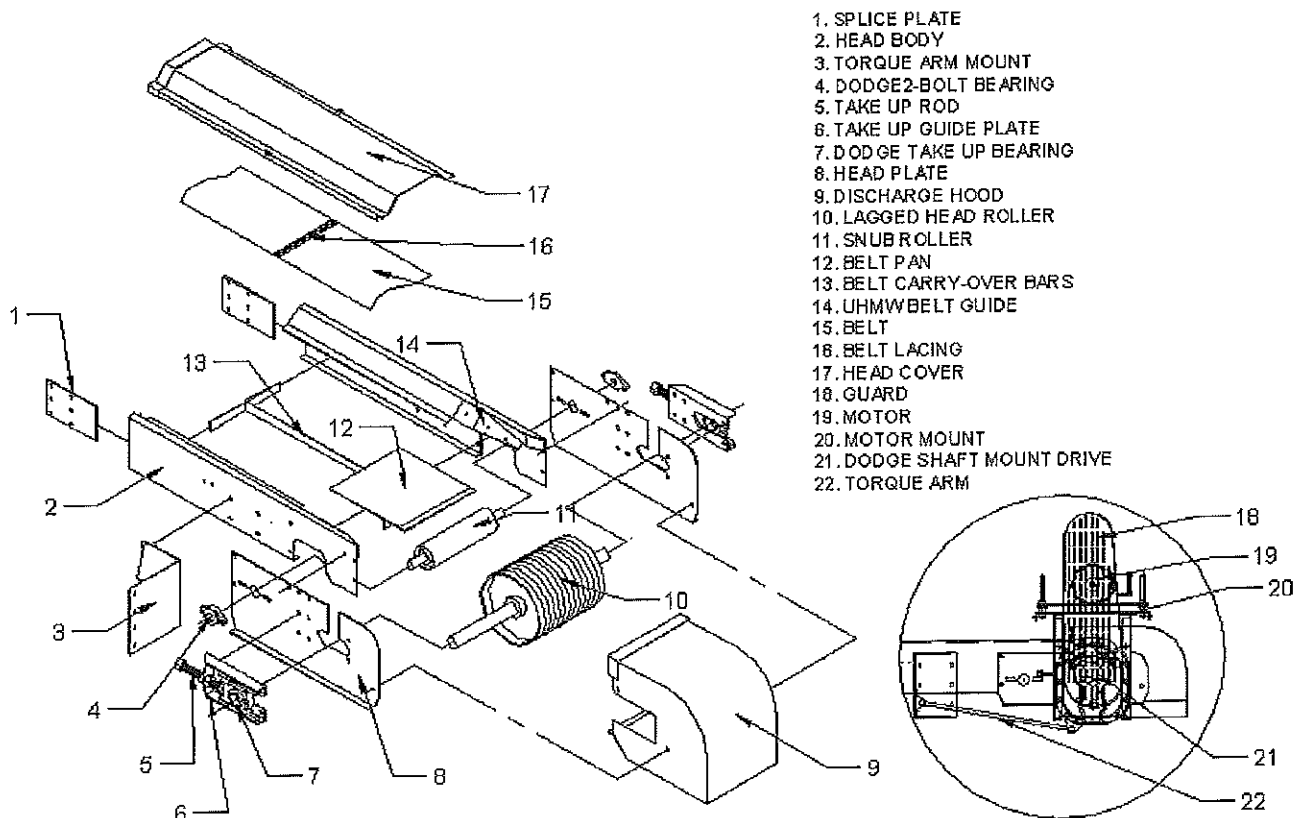
Installation and Operating Instructions  
for S-M Enterprises  
SCT-Series Conveyors

Model # SM SCT8512-18  
Serial # 65881  
Date of Manufacture: 7/26/13



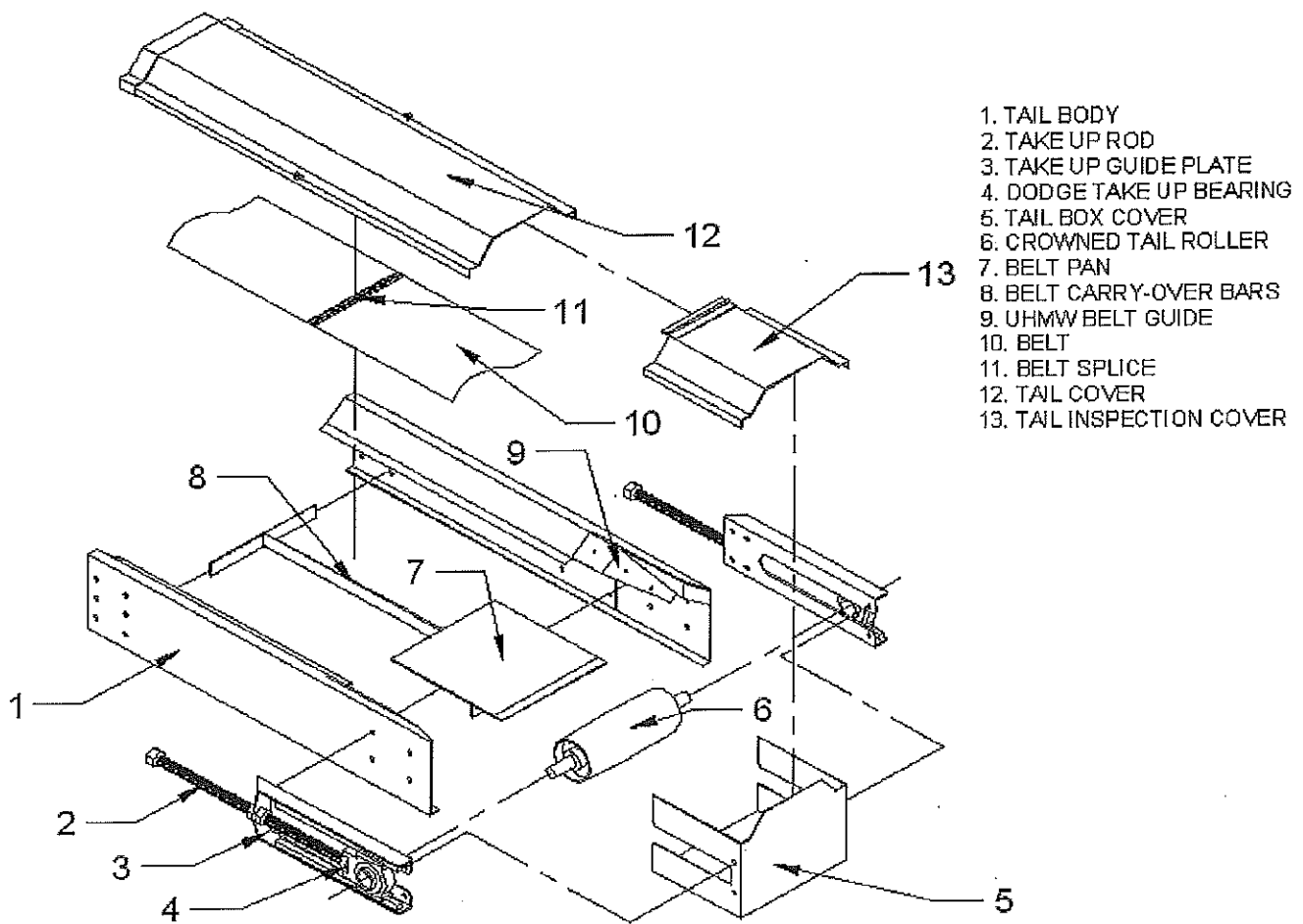
**S-M**  
South - Moorhead  
**ENTERPRISES, INC.**

**S-M SCT SERIES CONVEYOR**



## Assembly Instructions

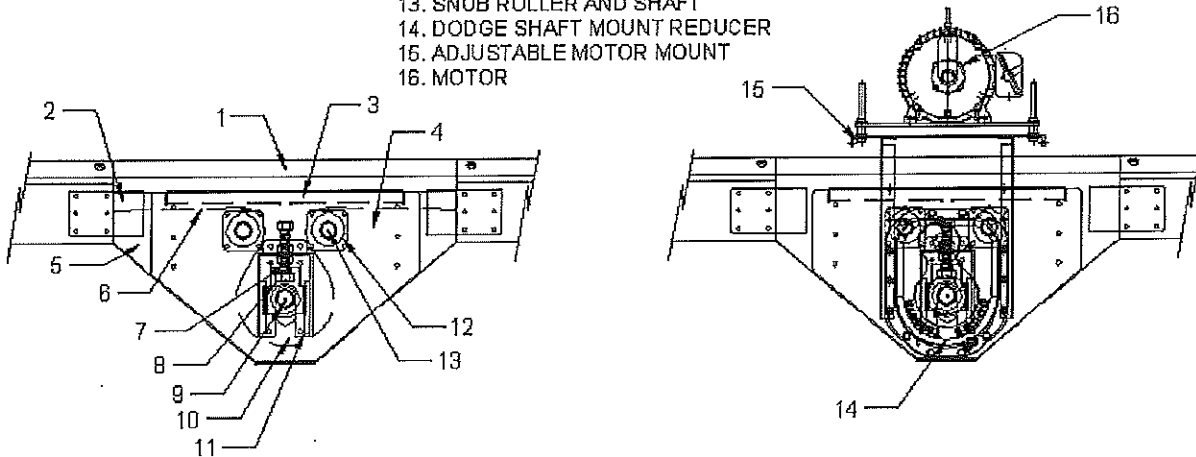
- 1) Mount head plate to body (# 8 & #2)
- 2) Slide snub roller into head plate (#11 & #8)
- 3) Mount other head plate (#8)
- 4) Bolt bearings to head plate (#4 & #8)
- 5) Install head roller (#10)
- 6) Mount bearings on head roller (#7 & #10)
- 7) Slide take up assembly onto bearings (#6 & #7)
- 8) Bolt take up assembly to head plates (#6 & #8)
- 9) Install belt and tighten (#15)
- 10) Mount torque arm bracket (#3)
- 11) Mount Dodge reducer (#21)
- 12) Mount torque arm (#22)
- 13) Mount motor (#19)
- 14) Mount backing guard plate (#18)
- 15) Mount sheaves, belt and tighten
- 16) Mount front of guard (#18)
- 17) Test run and track belt
- 18) Mount discharge hood (#9)
- 19) Install cover (#17)



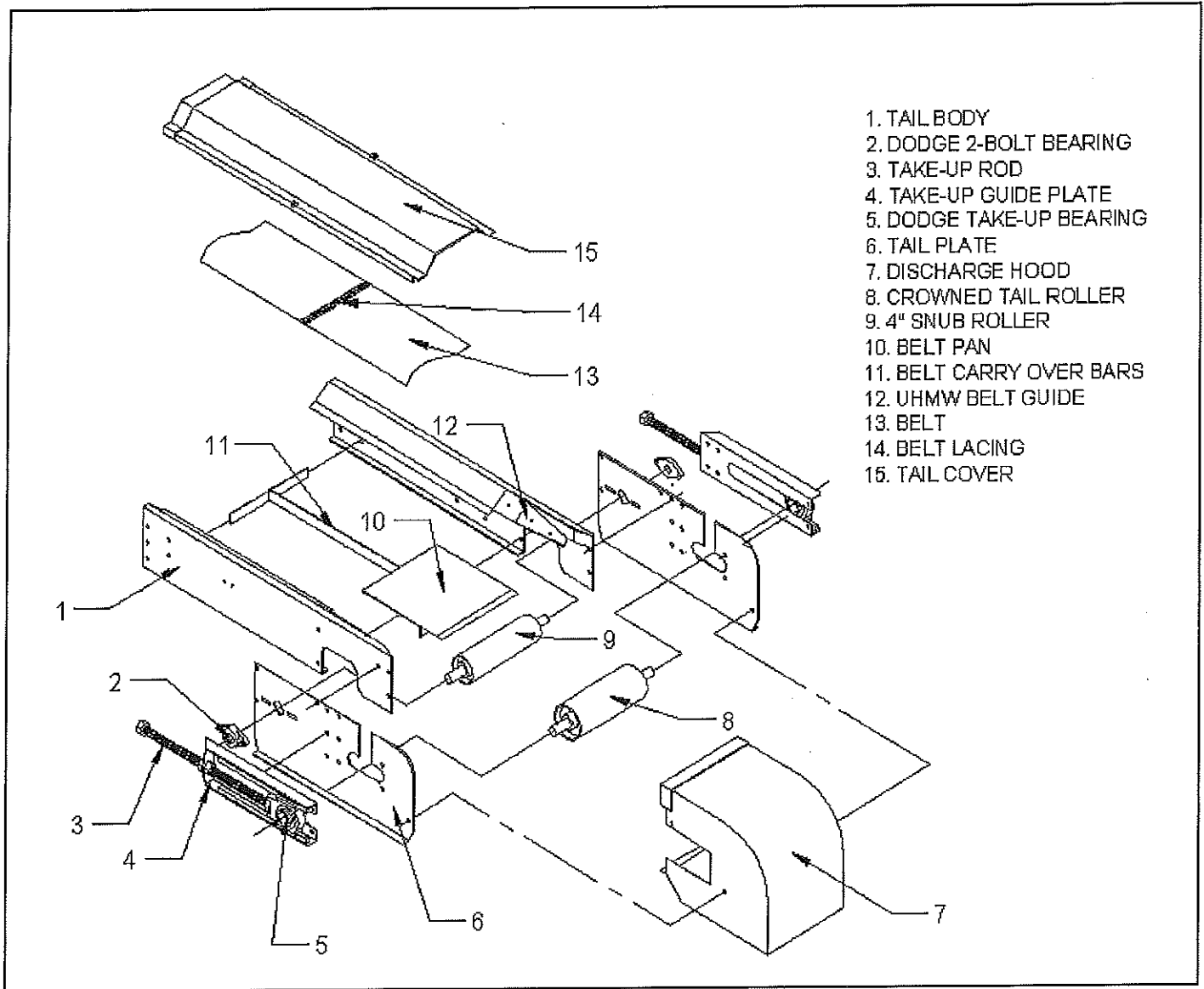
## Assembly Instructions

- 1) Mount take up assembly to tail body (#3 & #1)
- 2) Slide bearings onto tail roller (#4 & #6)
- 3) Slide bearings onto take up assembly with roller (#4 & #3)
- 4) Install belt and tighten (#10)
- 5) Mount tail box and cover (#5)
- 6) Install tail cover and tail inspection cover (#12 & #13)
- 7) Run conveyor and track belt

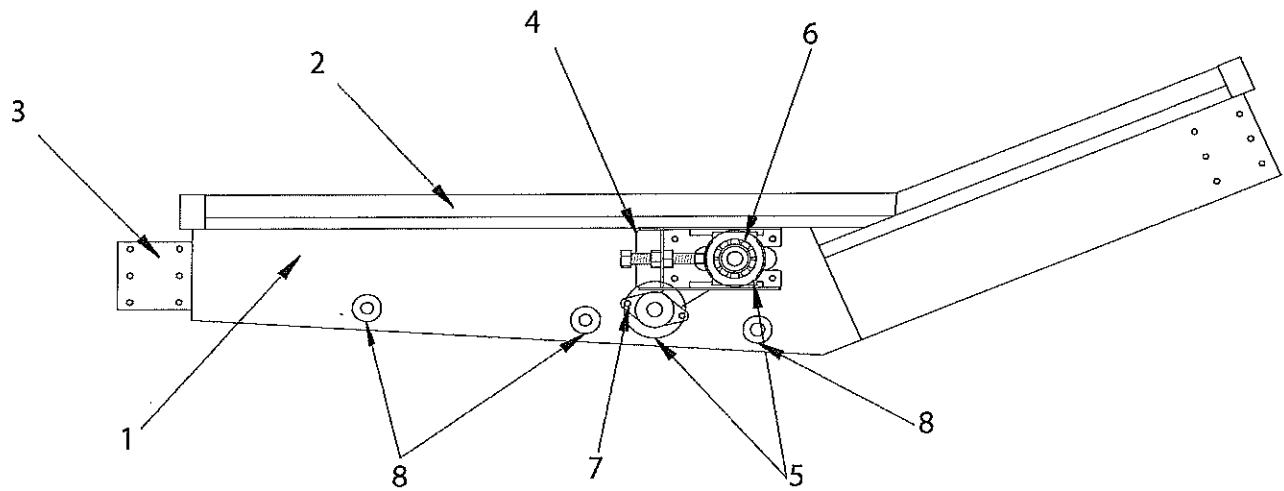
1. COVER
2. SPLICE PLATE
3. CARRY OVER BARS
4. CENTER DRIVE BODY PLATE
5. CENTER DRIVE BODY
6. BELT
7. TAKE UP ROD
8. DODGE WIDE SLOT TAKE UP BEARING
9. DRIVE SHAFT
10. LAGGED DRIVE ROLLER
11. TAKE UP GUIDE PLATE
12. DODGE 4-BOLT FLANGE BEARING
13. SNUB ROLLER AND SHAFT
14. DODGE SHAFT MOUNT REDUCER
15. ADJUSTABLE MOTOR MOUNT
16. MOTOR



- 1) Set snub roller into drive body (ref #13 & #5)
- 2) Mount drive body plates (ref #4)
- 3) Mount snub roller bearings (ref #12)
- 4) Mount drive pulley in body (ref #10 & #5)
- 5) Mount bearings on drive pulley (ref #8 #10)
- 6) Slide take up assembly onto bearings (ref #11 & #8)
- 7) Bolt take up assembly to drive plates (ref #11 & #4)
- 8) Install belt and tighten (ref #6)
- 9) Mount Dodge reducer (ref #14)
- 10) Mount motor mount assembly (ref #15)
- 11) Mount motor (ref #16)
- 12) Bolt on guard backing plate
- 13) Mount sheaves/belt & tighten
- 14) Mount front of guard
- 15) Run conveyor and track in both directions



- 1) Mount first tail plate to body (ref #6 & #1)
- 2) Slide snub roller into tail plate (ref #9 & #6)
- 3) Mount second tail plate (ref #6)
- 4) Bolt bearings to tail plate ((ref #2 & #6)
- 5) Put in tail roller (ref #8)
- 6) Install bearings on tail roller (ref #5)
- 7) Slide take up assembly onto bearings (ref #4 & #5)
- 8) Bolt take up assembly to tail plates (ref #4 & #6)
- 9) Install belt and tighten (ref #13)
- 10) Run and track belt
- 11) Mount discharge hood (ref #7)
- 12) Mount cover (ref #15)



- 1) Incline Section
- 2) Incline Section Top Cover
- 3) Splice Plate
- 4) Wide Slot Take Up Frame
- 5) S Wrap Pulley
- 6) Take Up Bearing
- 7) 2 Bolt Flange Bearing
- 8) Return Rollers

## MAINTENANCE INSTRUCTIONS

Bearings - Lubricate bearings after every 500 hours of operation. Do not over lubricate, it may cause seal failure.

Bolt Tension - Check belt tension after initial 100 hours of operation and then every 500 hours after.

Bolts - Check tightness of all bolts after every 500 hrs of operation.





## LIMITED WARRANTY

S-M Enterprises, Inc., hereinafter referred to as "S-M" warrants each S-M Enterprises product to be free from defects in material and workmanship, when used under normal use and service conditions, for a period of twelve (12) months commencing on the date of delivery of the complete product. The "defect" must be reported to S-M, or to S-M's representative within this 12 month warranty period.

**THIS LIMITED WARRANTY IS MADE EXPRESSLY IN LIEU OF ALL OTHER WARRANTIES, WHETHER EXPRESSED OR IMPLIED INCLUDING, BUT NOT LIMITED TO, WARRANTIES OF MERCHANTABILITY AND FITNESS FOR A PARTICULAR PURPOSE, AND ALL OTHER OBLIGATIONS OR LIABILITIES ON THE PART OF S-M. THE CUSTOMERS RIGHTS AND REMEDIES ARE GOVERNED EXCLUSIVELY BY THE TERMS AND CONDITIONS OF THIS LIMITED WARRANTY, AND CUSTOMER EXPRESSLY WAIVES FOR HIMSELF AND ANY PURCHASER, ANY CLAIM BASED UPON CONTRACT, NEGLIGENCE, TORT, STRICT LIABILITY OR OTHERWISE.**

S-M's obligation and sole remedy under this warranty is exclusively limited, at S-M's option, to either repair or replace any part or product found to be defective, within a reasonable time, providing that such part or product is returned to S-M factory in Moorhead, Minnesota, transportation charges prepaid, or to the selling dealer or distributors place of business from whom the purchase was made. The "defective" product or part may also be returned to the S-M's factory in Moorhead, Minnesota, transportation charges prepaid, for a full refund of the purchase price with respect to any failure of product due to defects in material or workmanship. All corrective work on S-M's product must be approved in writing by S-M prior to such repairs. No allowances will be made for corrective work that has been completed without this express approval. If S-M is unable to repair the equipment, S-M will, at its option: (a) replace the equipment, or (b) refund the purchase price. These remedies are the Buyer's exclusive remedies for breach of warranty. Any action for breach of warranty must be commenced within 15 months following delivery of the goods. S-M makes no warranties with respect to any equipment sold but not manufactured by S-M.

Improper lubrication, improper installation, deterioration by chemical action, and premature wear caused by the presence of abrasive materials do not constitute "defects".

**THIS WARRANTY SHALL NOT RENDER S-M LIABLE FOR ANY CONSEQUENTIAL DAMAGES, INCLUDING AND WITHOUT LIMITATION, TO PERSONAL INJURY, EXPENSES OF REMOVING THE PRODUCTS, LOSS OR DAMAGE RESULTING TO THE EQUIPMENT OR STRUCTURE(S) IN WHICH THE S-M'S PRODUCTS HAVE BEEN INSTALLED, LOSS OF USE OF SUCH EQUIPMENT OR STRUCTURE; LOSS OF COMMODITY, OR LOSS OF PROFITS. IN NO EVENT SHALL SM BE LIABLE FOR MORE THAN THE PURCHASE PRICE OF THE EQUIPMENT IN THIS CONTRACT.**

This warranty shall not apply to any S-M's products that have been altered, or repaired by anyone other than an authorized S-M's service representative, and any product that which has been subject to abuse, misuse, neglect, or accident, nor to any product which shall be found to have been installed or operated in accordance with the S-M's printed operators manual.

This warranty will be declared null and void immediately if the purchaser, a representative of the purchaser, or anyone else shall modify, install, or cause to be installed, replacement parts not sold, distributed, or approved by the S-M.

The equipment covered by this Agreement is capable of handling a wide variety of materials, including those that are flammable and/or explosive. As such, there may be a fire and explosion hazard. Fire and explosion detection and suppression systems vary depending on the materials being processed and handled. Thus, Buyer is solely responsible for and must determine what fire and explosion protection is necessary for its facility, including for the equipment covered by the agreement. Buyer must supply all necessary fire and explosion detection and suppression equipment or systems.

S-M is expert in the chemical and biological properties of the infinite number of materials that might be processed in or handled by the equipment covered by the Agreement. Before processing or handling any materials that are or can be flammable, explosive, toxic or otherwise hazardous, Buyer must perform a thorough process hazard analysis and risk assessment of its entire process, including contingency plans for dealing with processing errors and upset conditions.

Much of the equipment that S-M manufacturers can be fitted with a wide variety of options that could be used to reduce specific hazards created by the product which it handles, including, for example, explosion relief panels, electrically grounded components, the ability to maintain an inert atmosphere, and remote sampling and cleaning. Unless specifically set out the Agreement, the equipment quoted does not contain these available safety features. Buyer shall be solely responsible for knowing or determining the hazards of its product and its process and for contacting S-M to learn about the availability of these safety features.

This warranty shall not be extended to, tires, inner tubes, batteries, gearboxes, motors, electrical controls, filters, or any purchased component that carries its own manufacturers warranty; the warranty on these products will be limited to the published warranties of their respective manufacturers.

All claims under this warranty are to be made, in writing, within 15 days of the date of failure to; S-M Enterprises, Inc., 2310 26th Street South, Moorhead, Minnesota 56560. Failure to do so will result in customers claim being waived.

S-M is not responsible for installation of the product, and is not liable for any loss or damage attributed to improper installation. Customer acknowledges that it is knowledgeable concerning the goods purchased; that customer has reviewed the limited warranty; and that the remedies provided are adequate to customer. S-M is not responsible or liable for any claim of personal injury or death. S-M neither assumes or authorizes any person to assume for S-M any other liabilities in connection with the sale of its products. This warranty is subject to existing conditions of supply which may directly effect the ability of the manufacturer to obtain materials or manufacturer replacement parts.

Customer agrees to incorporate the terms of this limited warranty into subsequent sale or transfer of these goods to a third party such that the S-M's liability shall be expressed, limited to the terms and conditions of this limited warranty as well as the choice of law and choice of jurisdiction provisions of this agreement. If any party brings an action against S-M for other than those set forth in this limited warranty, customer agrees to defend S-M against for other than those set forth in this limited warranty, customer agrees to defend S-M against such claims at customers expense, including attorney's fees, and to indemnify and hold S-M harmless against any such claims or judgments thereon. In no event shall S-M's liability extend beyond the terms of the warranty provided to S-M's original customer.

Customer agrees that Customer's rights and responsibilities in regard to this transaction shall be governed by the law of the State of Minnesota, and shall be exclusive jurisdiction for bringing any disputes in regard to this transaction, which must be venued in District Court, Clay County, Minnesota.

This writing constitutes the entire representations of warranties, oral or written, express or implied, statutory or otherwise. This limited warranty may be modified only in writing, signed and notarized by S-M, at its home office in Moorhead, Minnesota.