



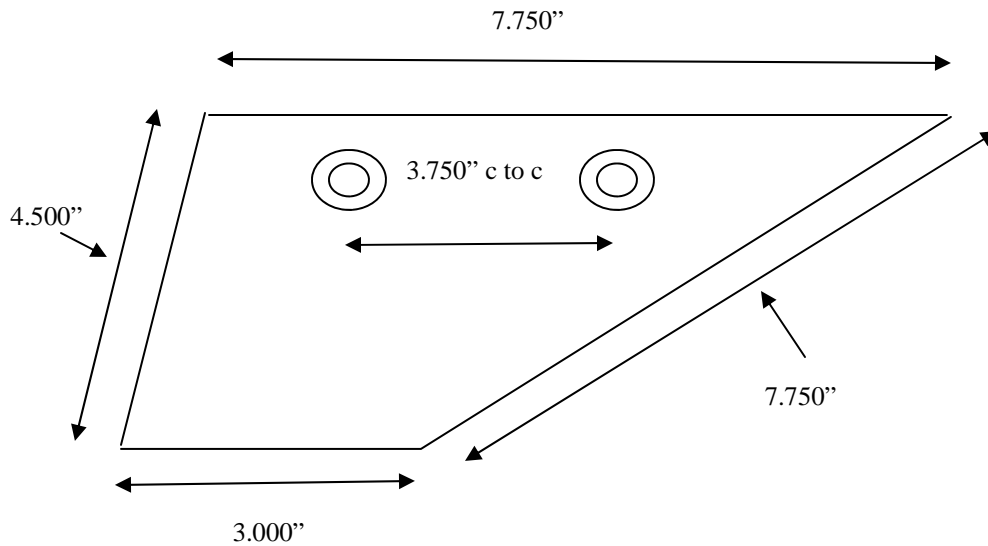
**MARINETECH  
PRODUCTS, INC.**

# Safe-Skeg



Tel: 651-486-2010  
Fax: 651-486-6989  
E-mail: [info@marinotech.info](mailto:info@marinotech.info)

PART NUMBER: 35-SS710



Made of 316 Marine Grade SS  
1.5mm material thickness

Typical thickness of skeg  
.625"