



55-6400

MULTI- BATTERY ENERGY GAUGE INSTRUCTION MANUAL



Battery Gauge Panel for Four Batteries

This Panther Battery Gauge allows you to determine the exact amount of charge remaining in your batteries. Designed for panel mounting, this battery gauge allows you to monitor four batteries with the simple touch of a switch, and will work with any standard or deep cycle 12 volt lead acid batteries. The battery gauge's high-precision, rugged design will provide accurate battery charge readings in even the toughest conditions. The gauge is internally lit for day or night use. Comes complete with easy to follow instructions for do-it-yourself installations.

MODEL 55-6400

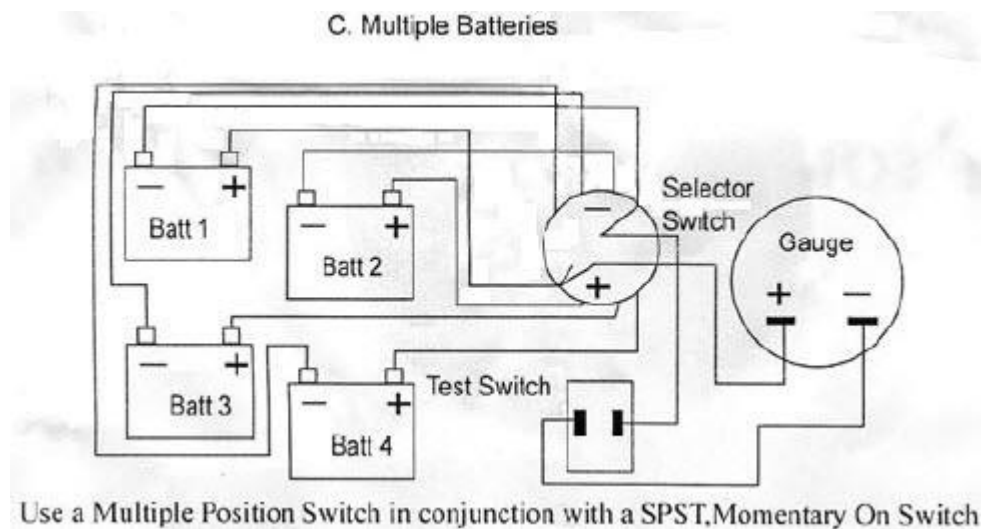
MULTIPLE BATTERY ENERGY GAUGE

This Marineteck Products BATTERY ENERGY GAUGE is designed to measure the exact amount of energy stored in your battery. It works by electrically measuring strength of the acid in your battery, much like how a hydrometer will physically measure the strength of your battery acid. With this BATTERY ENERGY GAUGE you will know at a glance how much power you can count on, and how much charging your battery may need.

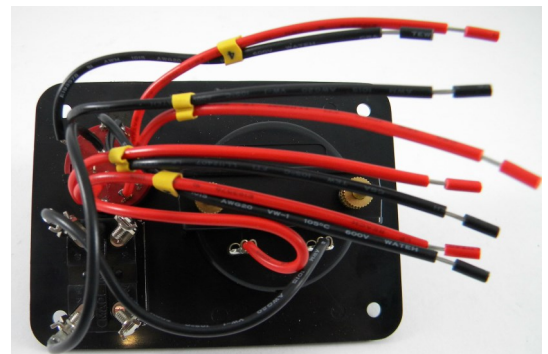
This BATTERY ENERGY GAUGE is designed for use with any 12 volt deep cycle or starting battery. Be sure to follow the instructions below for proper installation and uses.

INSTALLATION

1. This model BATTERY ENERGY GAUGE comes mounted on a panel and is pre-wired with a four position selector and a test switch for monitoring up to four batteries. The entire unit can be mounted on or near the dash, in a bow area of a boat or back by the engine area. Follow the illustration below for proper wiring.



2. Before mounting the BATTERY ENERGY GAUGE, run two 18 gauge wires [not included] from each battery to each of the four pairs of wires on the back of the display. Each pair of wires is labeled with a number that corresponds to the selector dial on the front of the display. Connect the wires to the switch using ½ inch slide on connectors. Be sure the positive (+) and the negative leads (-) are oriented properly.
3. The unit may then be mounted into the opening using appropriate screws or bolts (not provided).



OPERATING INSTRUCTIONS

1. Before taking a reading of any battery, first shut off all loads. Batteries must be tested “at rest” otherwise the reading will not be accurate.
2. Similarly, if the battery has just been recharged (within six hours or so) disconnect the battery from the charger and remove the surface charge in order to obtain an accurate reading. The surface charge may be removed by briefly connecting the battery to a “load” such as a motor, lights, or other device.
3. For the best reading, allow the battery to normalize for about 60 seconds after the load has been removed and then take the reading.
4. After the battery has been normalized, check the battery by turning the selector dial to the desired battery, and then moving the TEST switch down. The charge level of the battery will now be displayed.
5. The gauge displays the percent of charge remaining in the battery. For example, a 60% reading means that 60% of the battery’s capacity is available.
6. A reading of 100% means the battery is fully charged. A reading in the “FULL” range means that the battery has a surface charge or is currently being charged.
7. A reading in the ‘EMPTY’ range means the battery is dead and should be recharged.

BATTERY CHARGING TIPS

1. Being able to easily monitor your battery’s state of charge ensures greater reliability and longer battery life. All lead acid batteries that are used for auxiliary applications should be recharged within a short time of use. If a discharged battery is left uncharged for an extended period of time [one week or more], the cells of the battery may sulfate and the storage capacity will be diminished.
2. Also, unlike Ni-Cad batteries that are used in some electronic devices, lead acid batteries do not get a “memory”, and are not harmed if they are recharged before being fully discharged. The best way to keep an auxiliary battery in top condition and extend its life is to recharge the battery frequently to keep it at a full charge.
3. Always allow batteries to “cool off” after recharging. The cooling time is very important because heat is generated during the recharge and discharge cycles. Without the cooling time the heat grows, accelerating grid corrosion which is one of the major causes of battery failure.
4. An overly discharged battery may need to be cycled a few times before it can recover fully. If a battery begins to heat before coming to a full state of charge, it may be necessary to discharge the battery and recharge it a few times. The charge and discharge cycle may help the current acceptance of the battery and facilitate its recovery to a usable condition.
5. As batteries age, their maintenance requirements change. This means longer charging time and their capacity decreases.

MarineTech Products, Inc. is proud to offer these fine lines.



SOLUTIONS FOR MOTOR MOUNTING, REMOTE STEERING, TILT & TRIM, SHALLOW WATER ANCHORS, AND SECURITY SYSTEMS



THE ORIGINAL ENGINE-MOUNTED ELECTRIC TROLLING MOTORS—HIGH THRUST WITH WHISPER-QUIET EFFICIENCY



ROD HOLDERS, TROLLING MOTOR SUPPORTS, AND GPS/SONAR MOUNTS



AUXILIARY OUTBOARD MOTOR STEER SYSTEMS



THROTTLE CONTROL FOR GAS POWERED AUXILIARY MOTORS

www.marinetechproducts.com