



**MARINETECH
PRODUCTS, INC.**

651-486-2010 info@marinotechproducts.com

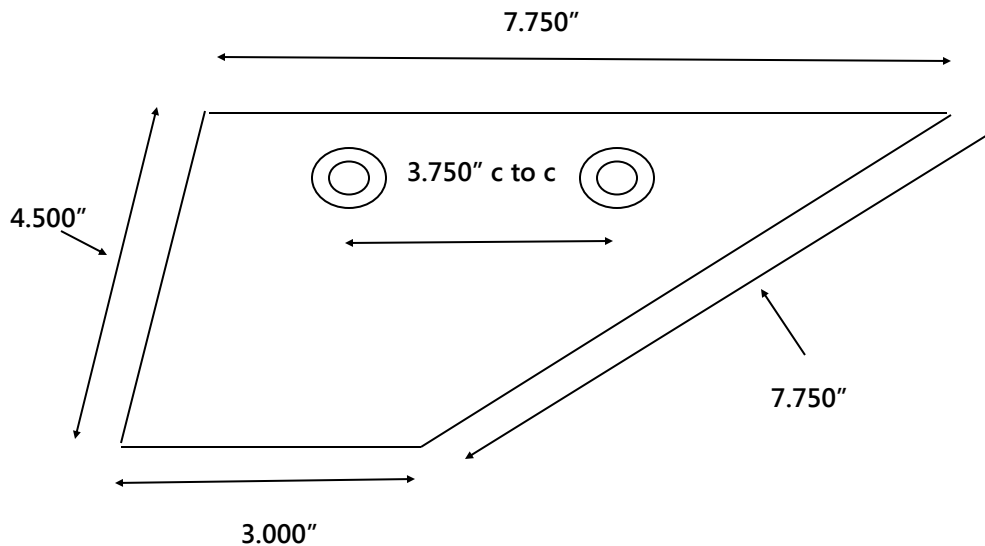
Safe-Skeg

MODEL 35-SS710



Merc/Mariner 40-50-60HP, 2 and 4-stroke, 2003-present

Evinrude/Johnson 40-50 HP, 4-stroke, 1999-2003



Made of 316 Marine Grade SS
1.5mm material thickness

Typical thickness of skeg
.625"