



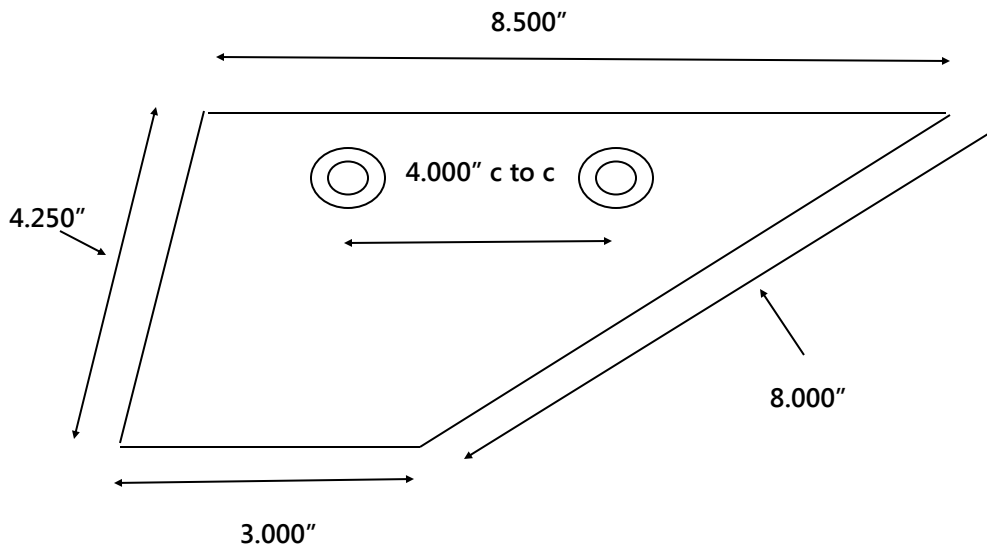
MARINETECH PRODUCTS, INC.

651-486-2010 info@marinotechproducts.com

Safe-Skeg

MODEL 35-SS705

Yamaha 40-50 HP, 2 and 4-stroke, 2001-2011



Made of 316 Marine Grade SS
1.5mm material thickness

Typical thickness of skeg
.625"

REV 1/16