



# MARINETECH PRODUCTS, INC.

651-486-2010 info@marinotechproducts.com

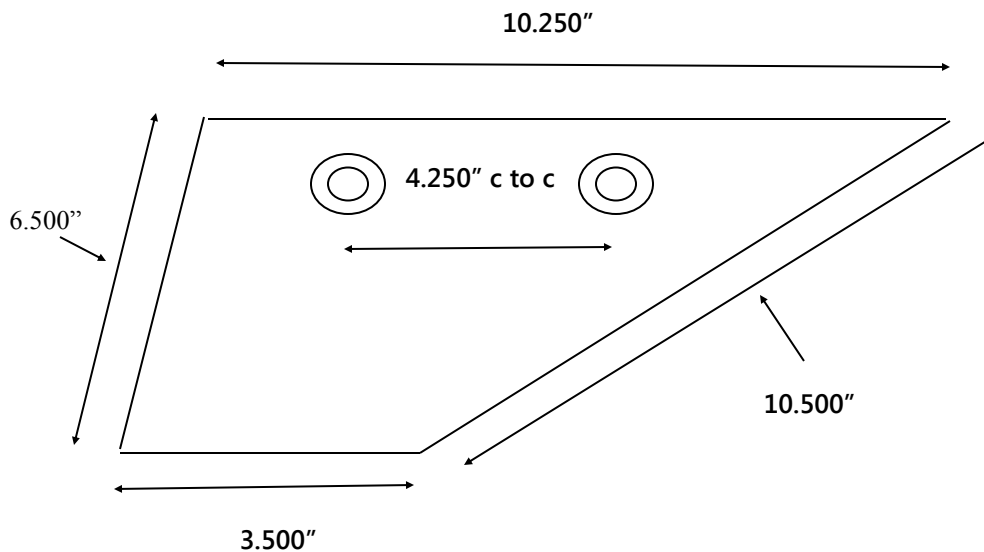
## Safe-Skeg

Model 35-SS690



Yamaha 115-130 HP, 4-stroke, 2000-present  
Yamaha 115-130 HP, 2-stroke, 2003-present

### DIMENSIONS



Made of 316 Marine Grade SS  
1.5mm material thickness

Typical thickness of skeg  
.625"

REV 1/16