



# MARINETECH PRODUCTS, INC.

651-486-2010 info@marinotechproducts.com

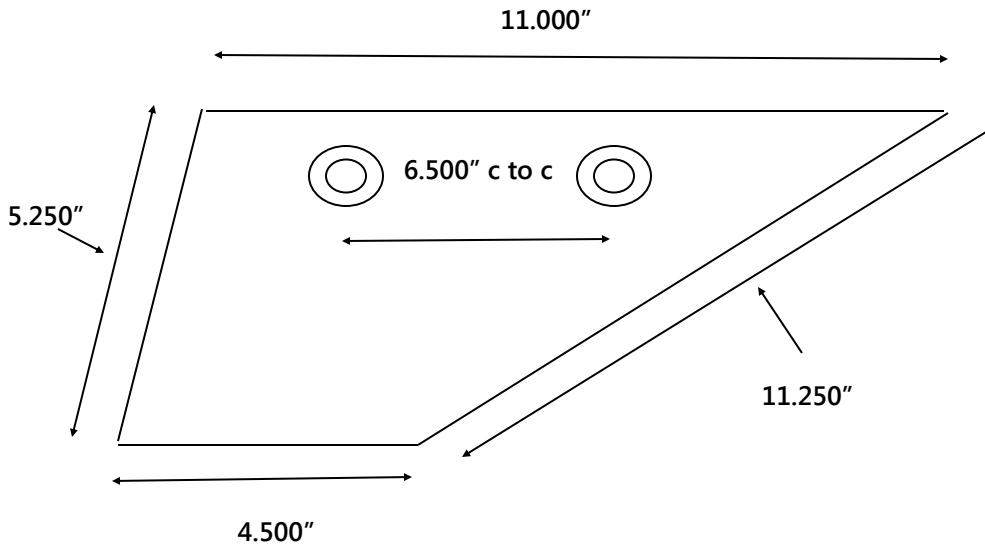
## Safe-Skeg MODEL 35-SS685



Honda 135-150-200-225 HP, 4-stroke, 2004-present

Honda 115 HP, 4-stroke, 210-present

### DIMENSIONS



Made of 316 Marine Grade SS  
1.5mm material thickness

Typical thickness of skeg  
.625"

REV 1/16