



MARINETECH
PRODUCTS, INC.

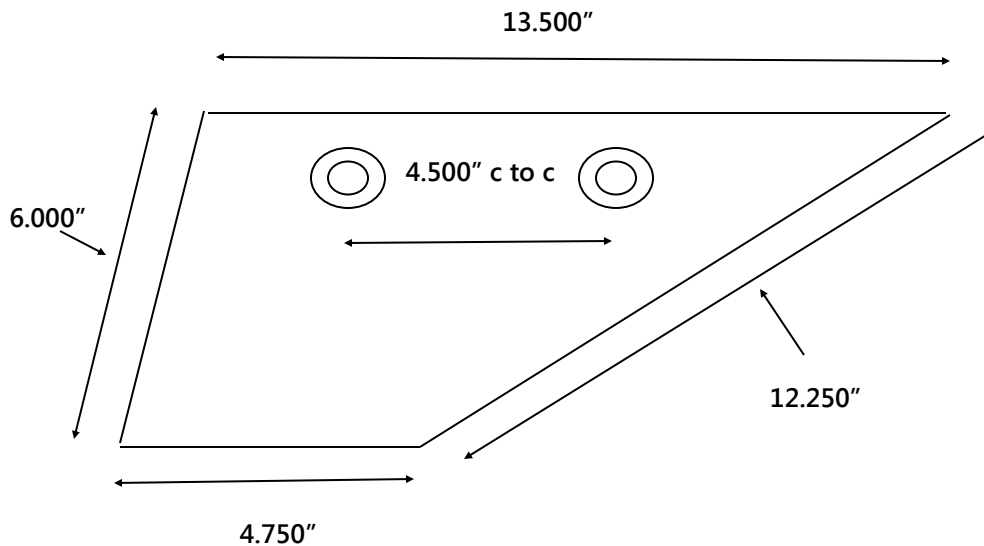
Safe-Skeg

MODEL 35-SS665



Volvo Penta I/O, Dual Prop, 1996-2007
Volvo Penta I/O, Single Prop, 1995-present

DIMENSIONS



Made of 316 Marine Grade Stainless Steel
Thickness: 1.5 mm

Typical thickness of
skeg: .625"

REV 1/16