



MARINETECH PRODUCTS, INC.

651-486-2010 info@marinotechproducts.com

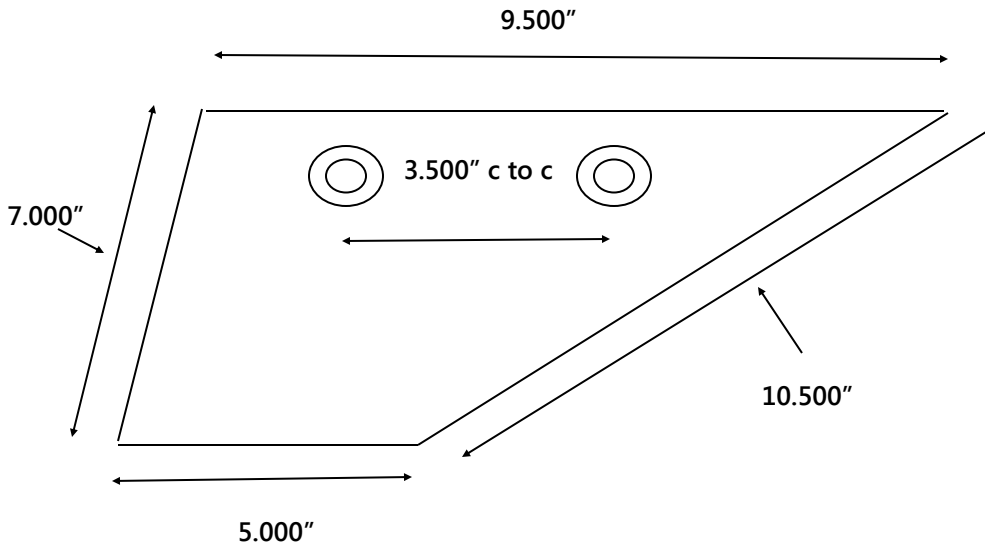


Safe-Skeg MODEL 35-SS660

Mercury 200-225 HP Optimax, 2-stroke, 1996-2004

Mercury 225-250-275-300 HP Verado, 4-stroke, 2005-present

DIMENSIONS



Made of 316 Marine Grade Stainless Steel
Thickness: 1.5 mm

Typical thickness of skeg
.625"

REV 1/16