



**MARINETECH
PRODUCTS, INC.**

651-486-2010 info@marinotechproducts.com

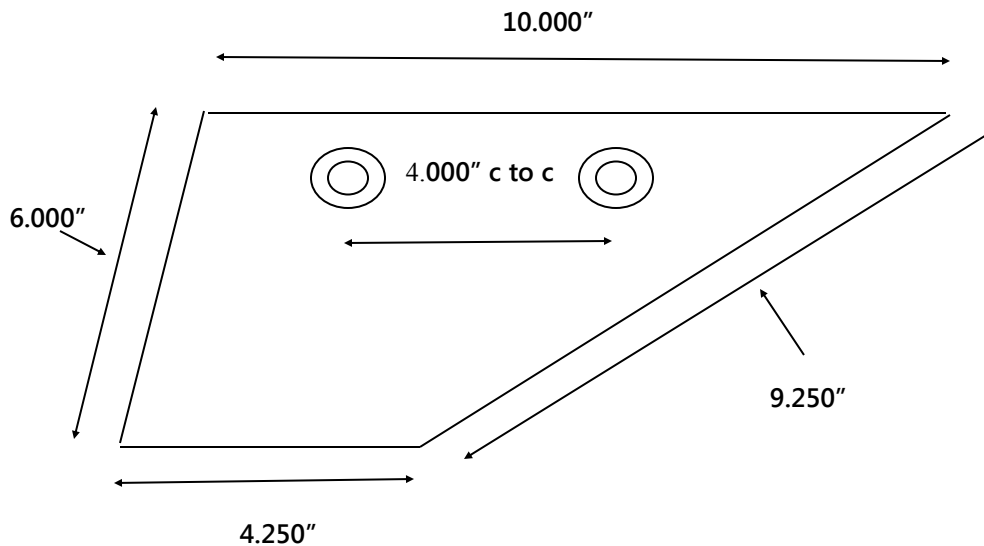


Safe-Skeg

MODEL 35-SS655

Volvo Penta I/O Dual Prop, 1996-2007
Volvo Penta I/O Single Prop, 1995-present

DIMENSIONS



Made of 316 Marine Grade Stainless Steel
Thickness: 1.5 mm

Typical thickness of skeg
.625"

REV 1/16