



MARINETECH PRODUCTS, INC.

651-486-2010 info@marinetechproducts.com

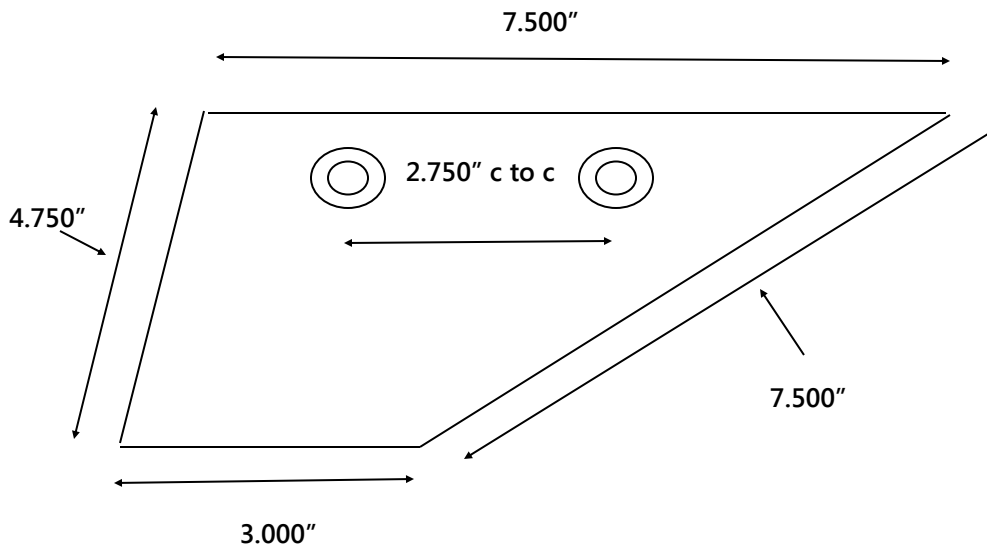


Safe-Skeg

MODEL 35-SS650

Force 70-75 HP, 2-stroke, 1991-1997
Honda 35-40-45-50-90 HP, 4-stroke, 1991-present
Mercury/Mariner 40-50-60 HP, 2-stroke, 1986-2002
Nissan/Tohatsu 35-40-50 HP, 2-stroke, 1993-2010
Suzuki 40-50-60-70 HP, 4-stroke, 2003-present
Yamaha 40-48 & 50-85 CV, 2-stroke, 1984-2000

DIMENSIONS



Made of 316 Marine Grade Stainless Steel
Thickness: 1.5 mm

Typical thickness of skeg
.625"

REV 1/16