



# MARINETECH PRODUCTS, INC.

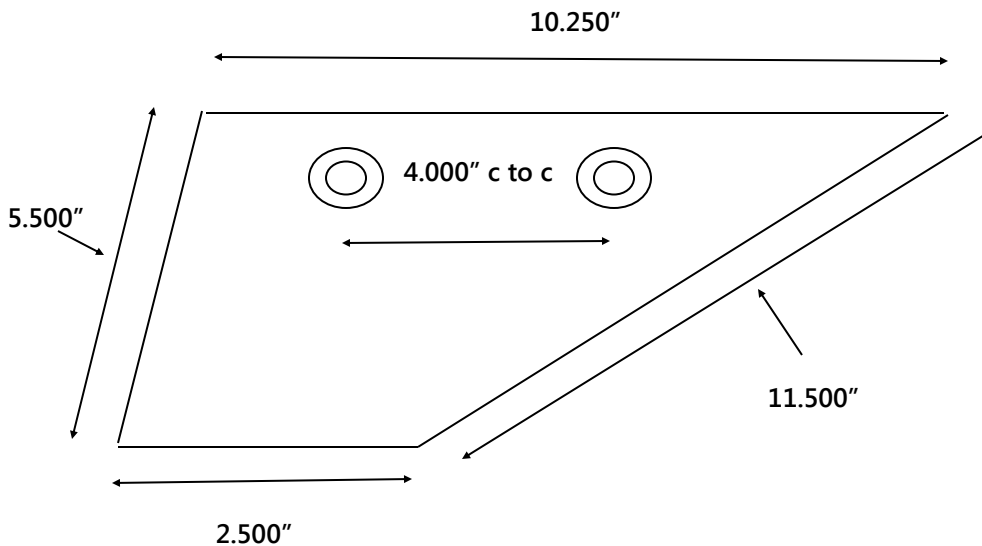
651-486-2010 info@marinetechproducts.com



## Safe-Skeg Model 35-SS6630

Suzuki 300 HP, 4-stroke, 2009-2011  
Evinrude/Johnson 150-175-185-200-225 HP, 2-stroke, 1986-2003  
Evinrude/Johnson 150 DBX & DPL [E-TEC], 2-stroke, 2004-present  
Evinrude/Johnson 225-250 DCX, DCZ, DPX [E-TEC] 2004-present  
Evinrude/Johnson 175-200 DPL, DSL Blue [E-Tec], 2-stroke, 2004-present

### DIMENSIONS



Made of 316 Marine Grade Stainless Steel  
Thickness: 1.5 mm

Typical thickness of  
skeg: .625"

REV 1/16