



MARINETECH PRODUCTS, INC.

651-486-2010 info@marinotechproducts.com

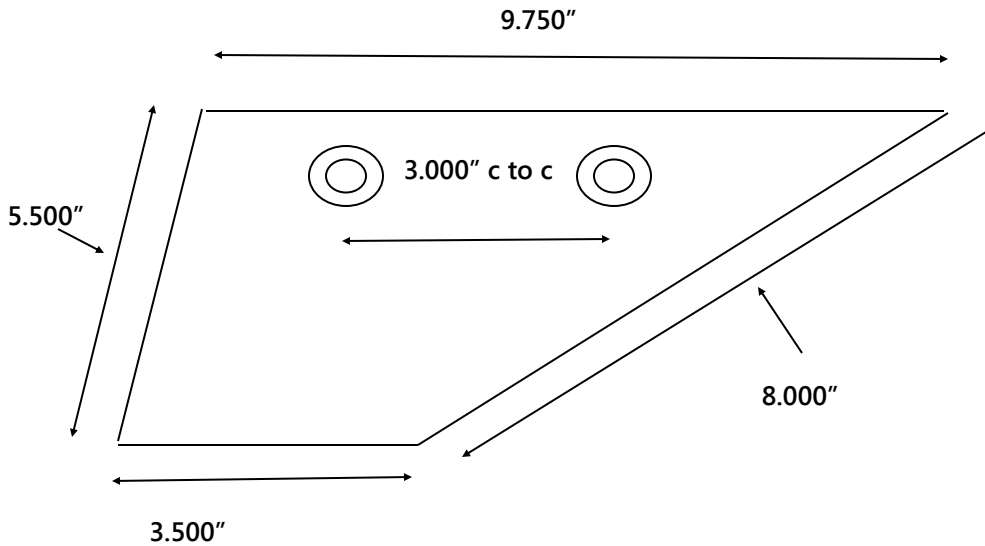


Safe-Skeg

MODEL 35-SS605

Mercury I/O Alpha 1 Drives, 1985-1990

DIMENSIONS



Made of 316 Marine Grade Stainless Steel
Thickness: 1.5 mm

Typical thickness of skeg
.625"

REV 1/16