



**MARINETECH  
PRODUCTS, INC.**

651-486-2010 info@marinotechproducts.com

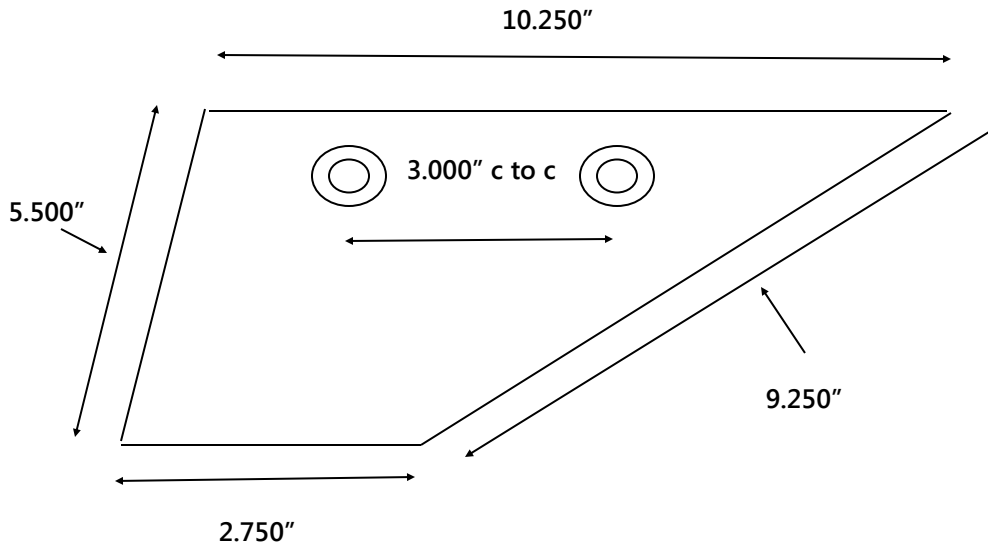
# Safe-Skeg

**PART NUMBER: 35-SS600**

Mercury I/O Pre-Alpha #1 Drives  
1973-1984



**PART NUMBER: 35-SS600**



Made of 316 Marine Grade SS  
1.5mm material thickness

Typical thickness of skeg  
.625"

REV 1/16