
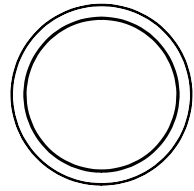


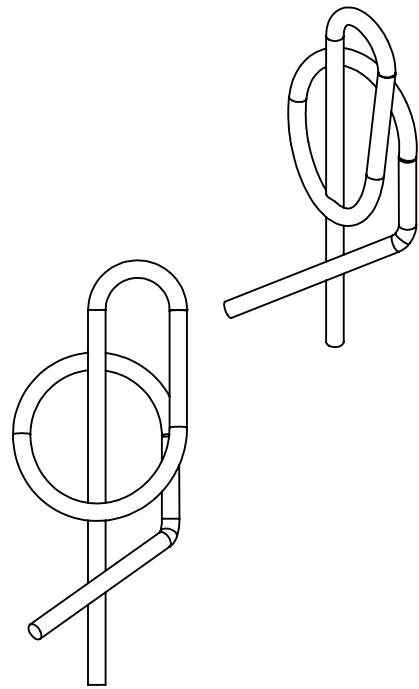
Generic Installation Drawings: Lag Screw Attach @ Rear Ledger Tie Rod Hang Single Left Rod Mid Height Rail Picket

*Drawings are for attachment and fastener details only and don't represent Balcony Frames on site.

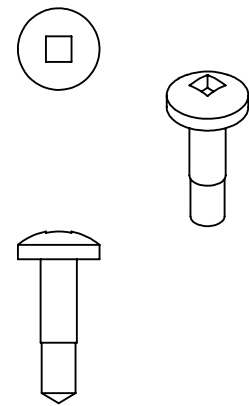
CONTRACTOR:		PROJECT LOCATION:		PHASE:
PROJECT:		PROGRESS / DATE COMPLETED:		 <small>6500 SHINGLE CREEK PARKWAY BROOKLYN CENTER, MN 55430 WWW.ENDURABLE.COM PHONE: 763.585.0097 - FAX: 763.585.0100</small>
	NAME	SIGNATURE	DATE	
DRAWN	GB		01/15/2015	
CHK'D				
APPV'D				
MFG				
Q.A				
<small>THESE DRAWINGS AND SPECIFICATIONS ARE THE PROPRIETARY PROPERTY OF ENDURABLE BUILDING PRODUCTS, AND SHALL NOT BE REPRODUCED, COPIED OR USED IN ANY MANNER WITHOUT THE PRIOR WRITTEN CONSENT OF ENDURABLE BUILDING PRODUCTS.</small>				<small>UNLESS OTHERWISE SPECIFIED DIMENSIONS ARE IN INCHES</small> DO NOT SCALE DRAWINGS
			PART NUMBER:	-
		Install		Mid Height Picket Railing Lag Attach single rod left
				SHEET 1 OF 5



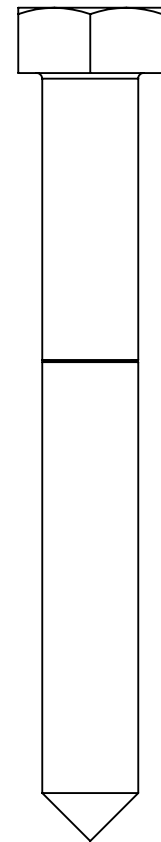
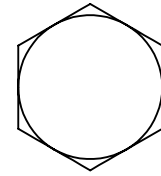
3/4" Steel Clevis Pin



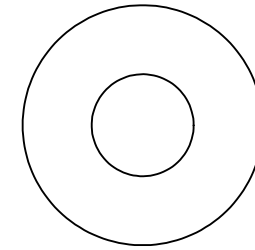
3/4" S.S. Locking Cotter Pin



#12-14 x 3/4"
S.S. Pan Head Square Drive
Self Drilling - Tek Screw

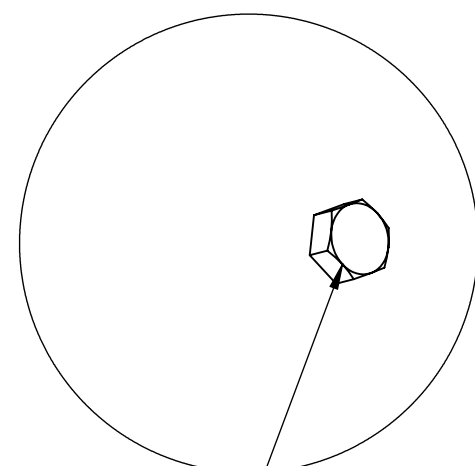
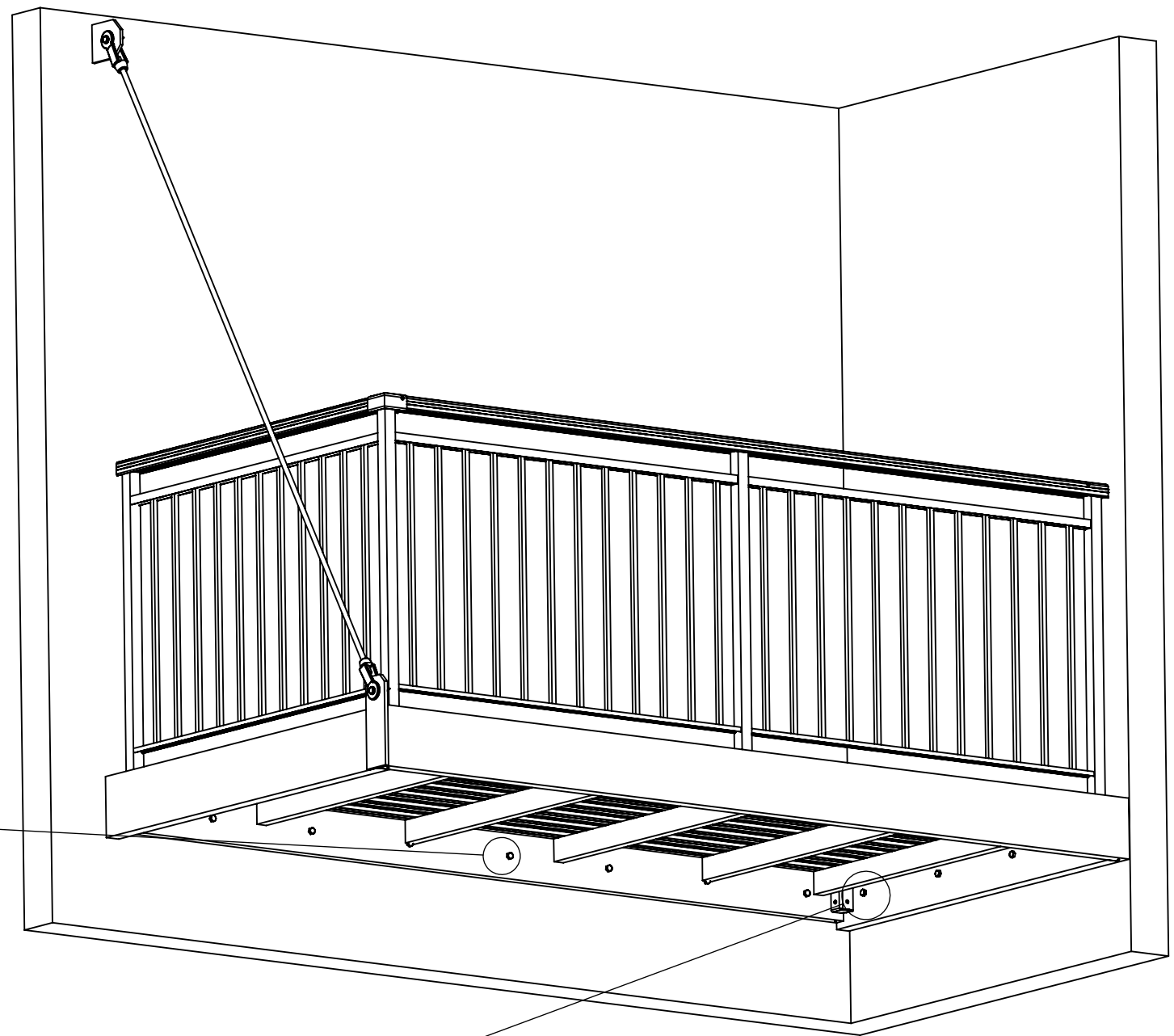
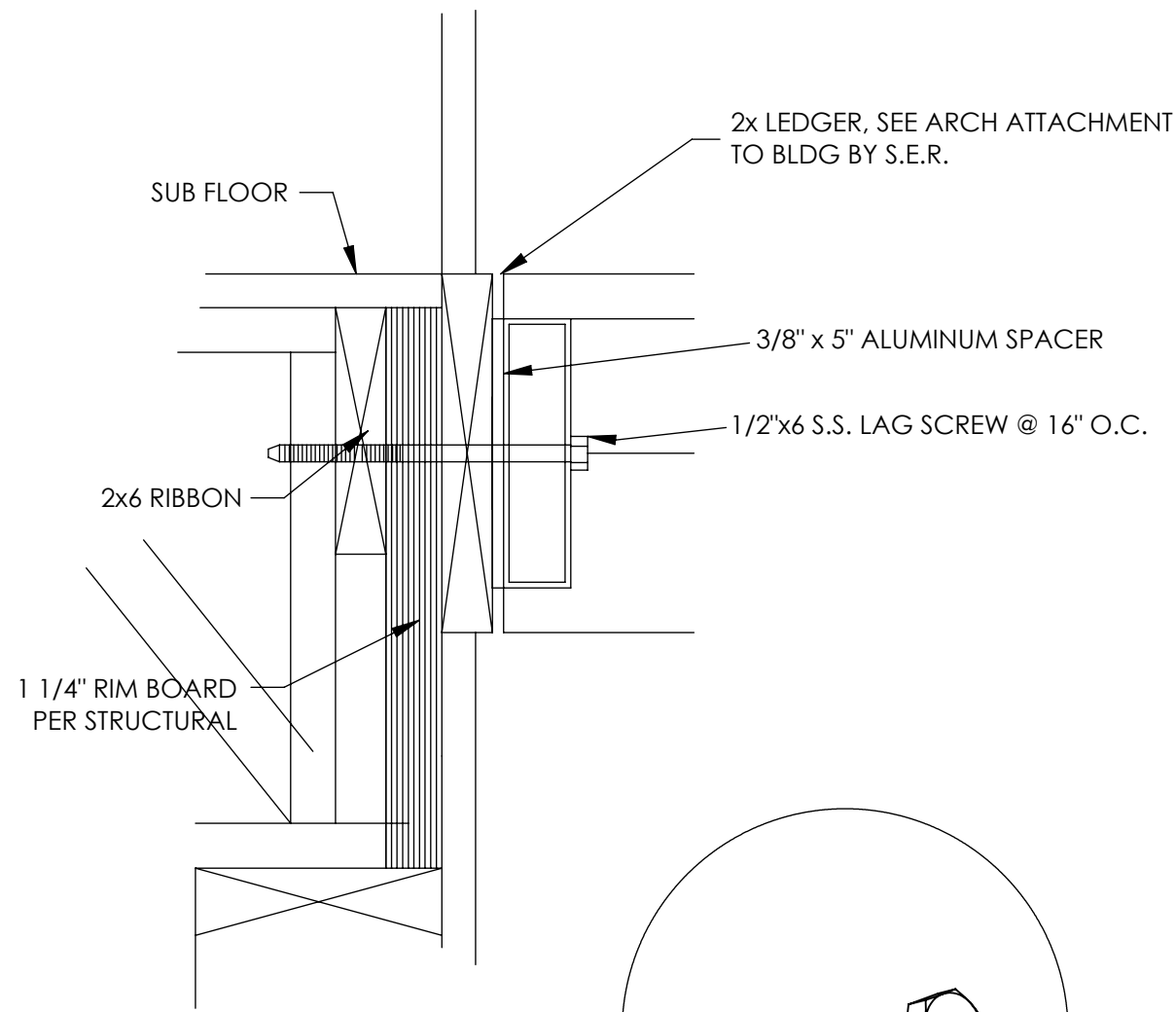


1/2" S.S. Lag Screw



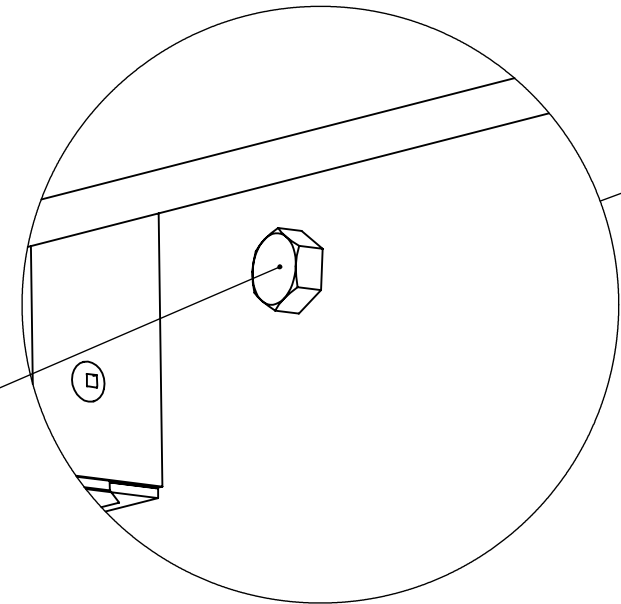
1/2" S.S. Flat Washer

CONTRACTOR:		PROJECT LOCATION:		PHASE:
PROJECT: Fasteners			PROGRESS / DATE COMPLETED:	 <small>6500 SHINGLE CREEK PARKWAY BROOKLYN CENTER, MN 55430 WWW.ENDURABLE.COM PHONE: 763.585.0097 - FAX: 763.585.0100</small>
	NAME	SIGNATURE	DATE	
DRAWN	GB		01/15/2015	
CHK'D				
APPV'D				
MFG				
Q.A				
<small>THESE DRAWINGS AND SPECIFICATIONS ARE THE PROPRIETARY PROPERTY OF ENDURABLE BUILDING PRODUCTS, AND SHALL NOT BE REPRODUCED, COPIED OR USED IN ANY MANNER WITHOUT THE PRIOR WRITTEN CONSENT OF ENDURABLE BUILDING PRODUCTS.</small>				<small>UNLESS OTHERWISE SPECIFIED DIMENSIONS ARE IN INCHES</small> DO NOT SCALE DRAWINGS
PART NUMBER:			-	
<small>Install Mid Height Picket Railing Lag Attach single rod left</small>				<small>REVISION:</small> <small>SHEET 2 OF 5</small>



Lag Bolt to Rim Board/Ledger Board
 (Typical All Lag Bolt Connections)
 Holes to be pre-drilled in balcony frame
 to ensure proper fit.

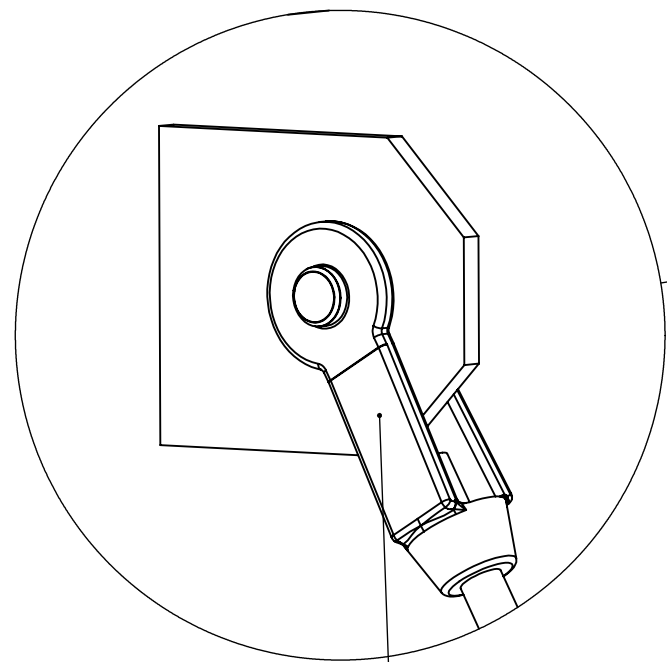
1/2" S.S. Lag Bolt



Lag Bolt to Rim Board/Ledger Board
 (Typical All Lag Bolt Connections)
 Holes to be pre-drilled in balcony frame
 to ensure proper fit.

1/2" S.S. Lag Bolt 16" O.C.

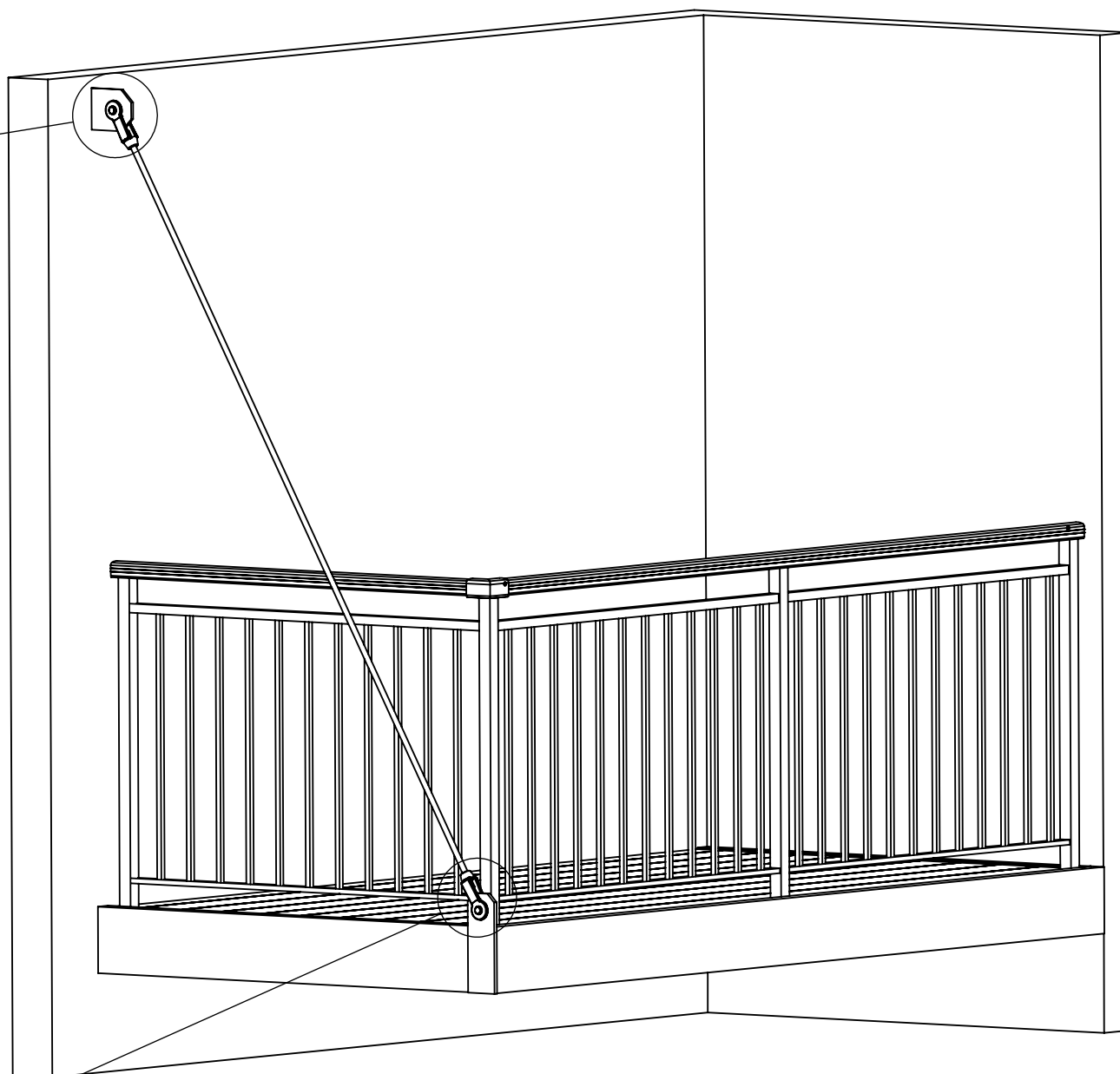
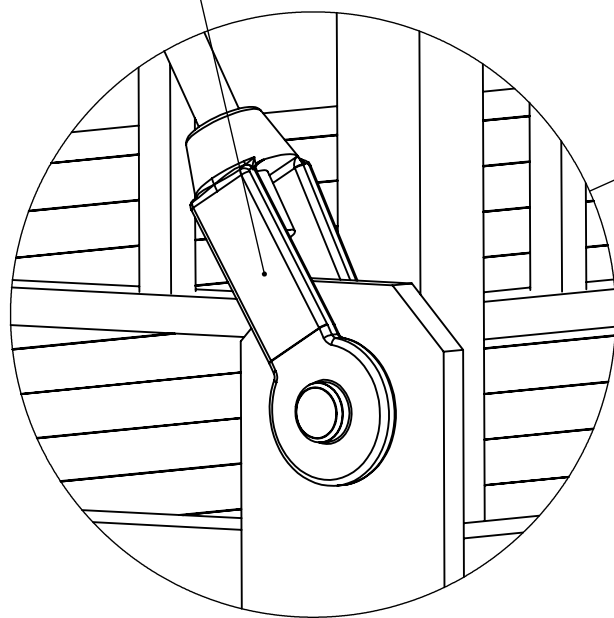
CONTRACTOR:		PROJECT LOCATION:		PHASE:
PROJECT:		PROGRESS / DATE COMPLETED:		 <small>6500 SHINGLE CREEK PARKWAY BROOKLYN CENTER, MN 55430 WWW.ENDURABLE.COM PHONE: 763.585.0097 - FAX: 763.585.0100</small>
NAME	SIGNATURE	DATE	DESCRIPTION:	
DRAWN GB		11/20/2015		
CHK'D				
APPV'D				
MFG				
Q.A				
<small>THESE DRAWINGS AND SPECIFICATIONS ARE THE PROPRIETARY PROPERTY OF ENDURABLE BUILDING PRODUCTS, AND SHALL NOT BE REPRODUCED, COPIED OR USED IN ANY MANNER WITHOUT THE PRIOR WRITTEN CONSENT OF ENDURABLE BUILDING PRODUCTS.</small>			<small>UNLESS OTHERWISE SPECIFIED DIMENSIONS ARE IN INCHES</small> DO NOT SCALE DRAWINGS	
PART NUMBER:		-		
Install		Mid Height Picket Railing Lag Attach single rod left		<small>DATE:</small> <small>REVISION:</small> <small>SHEET 3 OF 5</small>



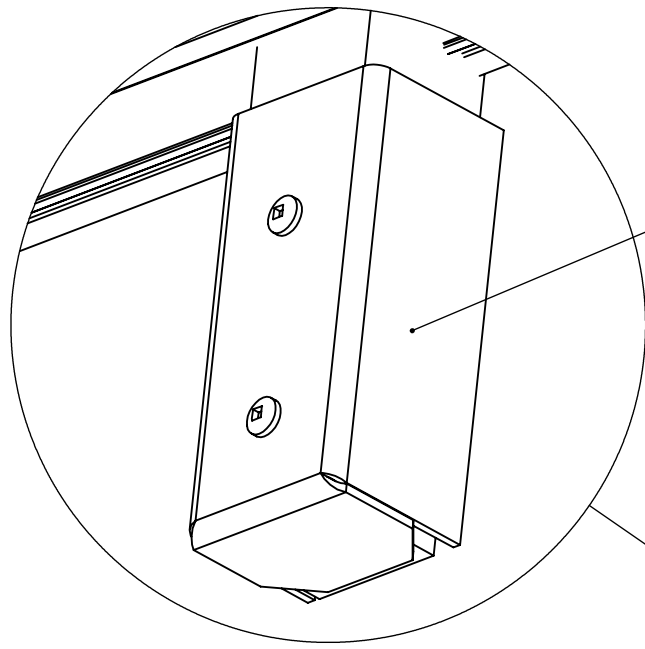
Clevis Hook Fasteners

(Typical All Clevis Hooks)
 Tie Rod will have Clevis Hooks
 Spun on each end.
 (1) End will have a Hex Nut
 for ease of Installation.

- (1) 3/4" Steel Clevis Pin
- (1) 3/4" S.S. Locking Cotter Pin



CONTRACTOR:		PROJECT LOCATION:		PHASE:
PROJECT:			PROGRESS / DATE COMPLETED:	 <small>6500 SHINGLE CREEK PARKWAY BROOKLYN CENTER, MN 55430 WWW.ENDURABLE.COM PHONE: 763.585.0097 - FAX: 763.585.0100</small>
	NAME	SIGNATURE	DATE	
DRAWN	GB		11/20/2015	
CHK'D				
APPV'D				
MFG				
Q.A				
<small>THESE DRAWINGS AND SPECIFICATIONS ARE THE PROPRIETARY PROPERTY OF ENDURABLE BUILDING PRODUCTS, AND SHALL NOT BE REPRODUCED, COPIED OR USED IN ANY MANNER WITHOUT THE PRIOR WRITTEN CONSENT OF ENDURABLE BUILDING PRODUCTS.</small>				<small>UNLESS OTHERWISE SPECIFIED DIMENSIONS ARE IN INCHES</small> DO NOT SCALE DRAWINGS
PART NUMBER:			-	
<small>Install Mid Height Picket Railing Lag Attach single rod left</small>				<small>REVISION:</small>

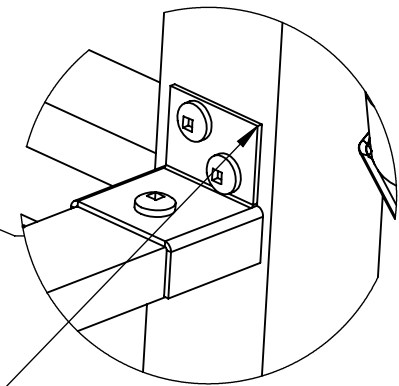
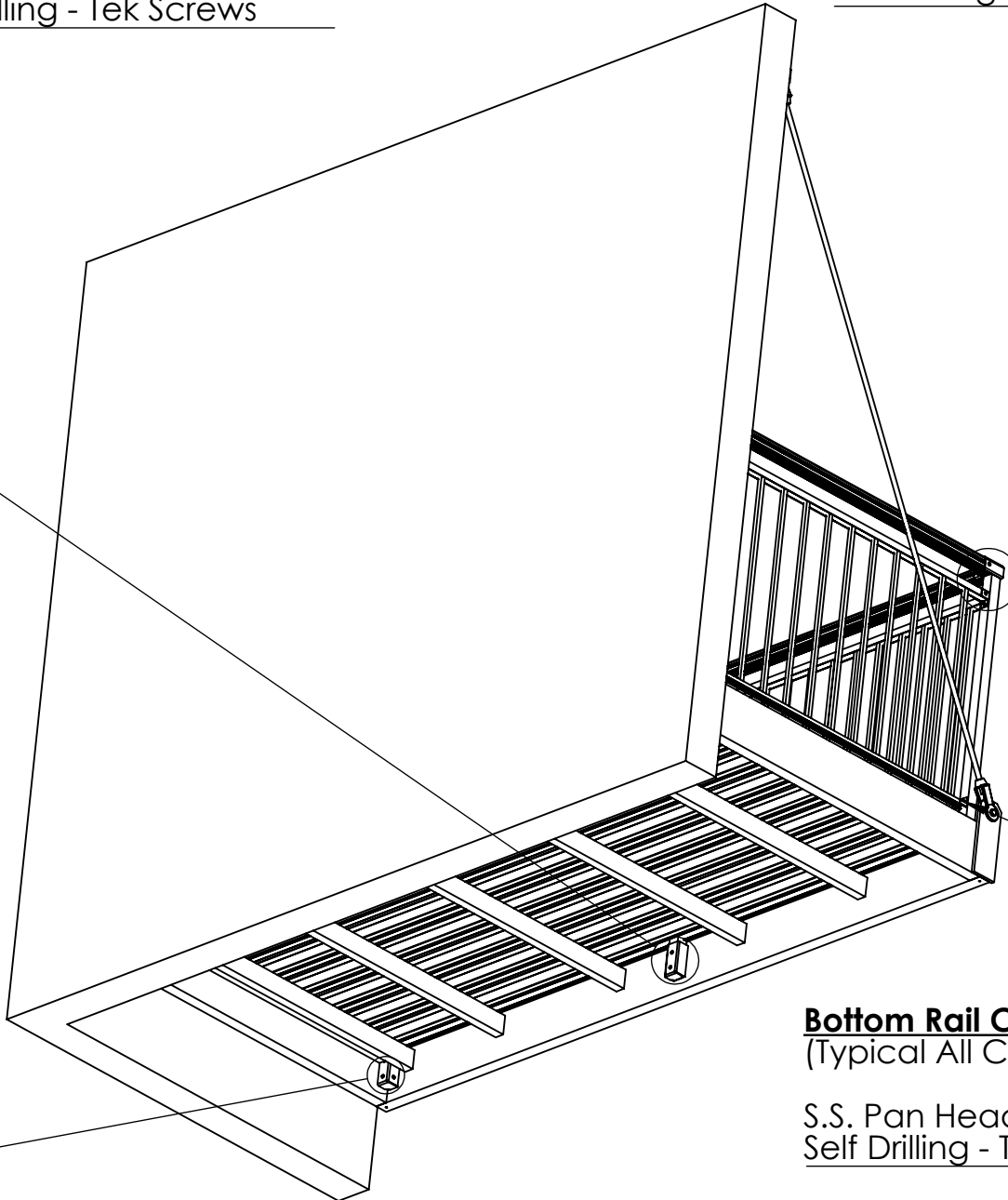
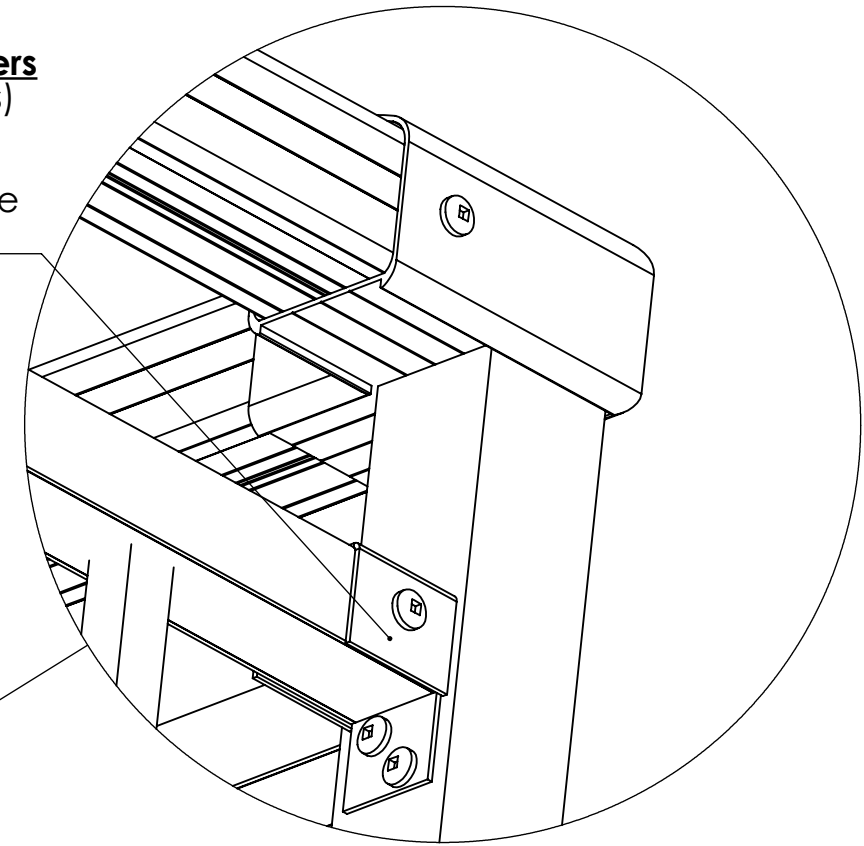


Center Rail Sleeve Fasteners
(Typical All Corner Sleeves)

(2) #12-14 x 3/4"
S.S. Pan Head Square Drive
Self Drilling - Tek Screws

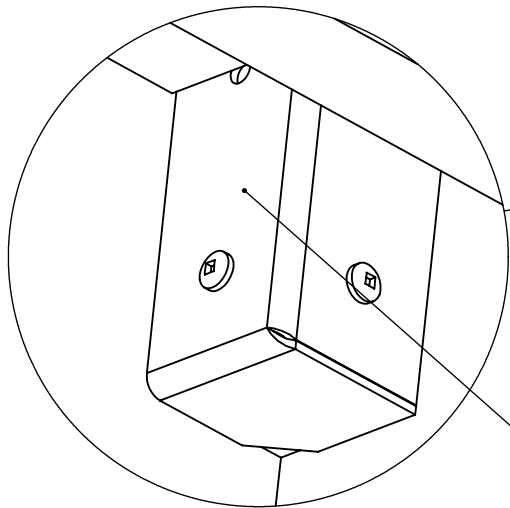
Corner Rail Sleeve Fasteners
(Typical All Corner Sleeves)

(4) #12-14 x 3/4"
S.S. Pan Head Square Drive
Self Drilling - Tek Screws



Bottom Rail Corner Sleeve Fasteners
(Typical All Corner Sleeve Returns)

S.S. Pan Head Square Drive
Self Drilling - Tek Screw



Corner Rail Sleeve Fasteners
(Typical All Corner Sleeves)

(3) #12-14 x 3/4"
S.S. Pan Head Square Drive
Self Drilling - Tek Screws

CONTRACTOR:		PROJECT LOCATION:		PHASE:
PROJECT:		PROGRESS / DATE COMPLETED:		 6500 SHINGLE CREEK PARKWAY BROOKLYN CENTER, MN 55430 WWW.ENDURABLE.COM PHONE: 763.585.0097 - FAX: 763.585.0100
NAME	SIGNATURE	DATE	DESCRIPTION:	
DRAWN GB		11/20/2015		
CHK'D				
APPV'D				
MFG				
Q.A				
THESE DRAWINGS AND SPECIFICATIONS ARE THE PROPRIETARY PROPERTY OF ENDURABLE BUILDING PRODUCTS, AND SHALL NOT BE REPRODUCED, COPIED OR USED IN ANY MANNER WITHOUT THE PRIOR WRITTEN CONSENT OF ENDURABLE BUILDING PRODUCTS.			UNLESS OTHERWISE SPECIFIED DIMENSIONS ARE IN INCHES DO NOT SCALE DRAWINGS	PART NUMBER: -
Install Mid Height Picket Railing Lag Attach single rod left				SHEET 5 OF 5